

D

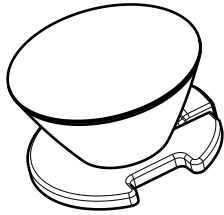
C

B

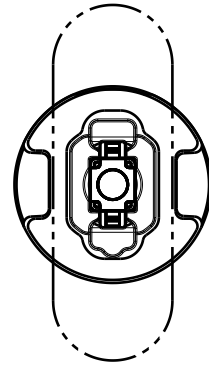
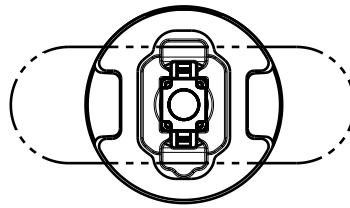
A

CA10319-0-0

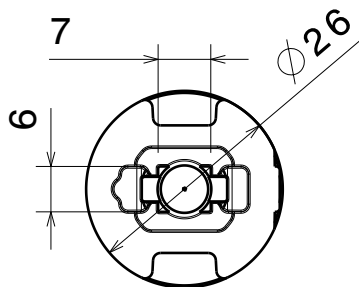
CA11240-0-0-90



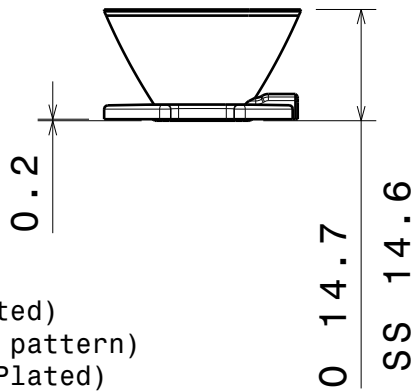
Isometric view



Light beam direction



Bottom view



Front view

Material: PMMA

- CA10318_Titanium-0-SS
- CA10319_Titanium-0-0
- CA10968_Titanium-0-SS(MetalPlated)
- CA11240_Titanium-0-0-90(turned pattern)
- CA11241_Titanium-0-0C-90(MetalPlated)
- CA10252_Titanium-0-M

Tolerances:
 < 20mm tolerance value $\pm 0.1\text{mm}$
 (21-45)mm tolerance value $\pm 0.2\text{mm}$

Note: Tape is 0.4mm thick,
 add 0.2mm to shown dim.
 for assembly height

This drawing is our property.
 It can't be reproduced
 or communicated without
 our written agreement.



L
T
F
F

e
e
i
i
N
n

d

h

DRAWING TITLE

Datasheet Titanium-0 Lens Series

DRAWN BY

DATE

p

24.01.2012

CHECKED BY

DATE

t

k

25.03.2008

DESIGNED BY

DATE

hh

25.03.2008

SIZE

A4

DRAWING NUMBER

REV

2

SCALE

1:1

WEIGHT (g)

SHEET

1/1

D

A

4

4

3

3

2

2

1

1